

PORTABLE DIESEL AIR COMPRESSORS 460CFM TO 1,550CFM



COMPLETE AIR
& POWER SOLUTIONS



CAPS AUSTRALIA COMPLETE AIR & POWER SOLUTIONS

CAPS Australia is a privately owned and proud Australian company intent on remaining at the forefront of compressed air, gas generation and power generation solutions.

WHO IS CAPS AUSTRALIA?

- Over **40 years of experience** in the Australian market.
- **9 branches** reach right around the country with **over 160 employees**.
- **60 service technicians** covering the full national footprint with a **24/7 service** offering.
- A vast inventory of **spare parts**.
- An **independent company** with the flexibility to search globally for the best products and technologies that best serve the **Australian market's needs**.
- CAPS has world-renowned partner brands such as Ingersoll Rand, Kohler, AIRMAN, Sauer, Pedro Gil and many more.
- **Custom design, manufacturing, supply and service**
- ISO 9001 accredited facilities

WHO DO WE SERVE?

- Mining
- Manufacturing
- Food and beverage
- Waste water treatment and
- Oil and gas
- And much more throughout Australia and internationally, having exported turn-key packages to over 35 countries.



"At CAPS, we think outside the box to develop integrated, agile solutions that are designed around the specific need of our customers."



**A family
owned
Australian
business**

LARGE MOBILE COMPRESSORS FUEL ECONOMY AND RELIABILITY

MAKE LIGHT WORK OF HEAVY DUTY OPERATIONS

The Airman range extends to include a wide range of high output and high pressure compressors. All large Airman compressors offer the same heavy-duty robust construction, combined with renowned Japanese quality and reliability.

This range of high output portable compressors provides a solution for almost any compressed air application.

Whether you require a standard, a high or a variable pressure compressor, you will find an Airman unit to suit.

What stands Airman apart from the rest is their superior real-world fuel savings which could lower the operating costs and carbon footprint of your project.

All Airman compressors are built with the same robust construction, combined with renowned Airman quality and reliability. CAPS and Airman are the smart choice for air on your project.

Ranging in output from 460 to 1,550 cfm with pressures from 125 to 360 psi, our machines are available in a number of different output combinations to suit your specific application. Airman large mobile compressors are widely used in the abrasive blasting, concrete spraying, heavy construction, mining and drilling industries.

LOW TO MEDIUM PRESSURE RANGE

Pressure: 7Bar (100 psi) – 14Bar (200 psi)

Flow: 12.5m³/min (460 cfm) – 42.5m³/min (1,500 cfm)

HIGH PRESSURE RANGE

Pressure: 15Bar (220 psi) – 25Bar (360 psi)

Flow: 17m³/min (600 cfm) – 43.9m³/min (1,550 cfm)



AIRMAN AFTERCOOLED & DRY AIR UNITS

DO YOU NEED TO REDUCE MOISTURE IN YOUR AIR?

The AIRMAN PDS-C series feature an integrated aftercooler to cool, condense and remove moisture in the compressed air. The discharged air from PDS-C contains only a small amount of water. This functionality proves its true value in many applications including chipping and abrasive blasting.



Do you get moisture in your pipes?



Is moisture affecting your sand blasting?

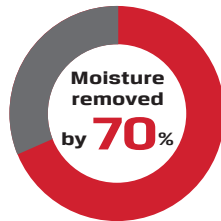


Do you get air bubbles in your paint?



Do your air tools freeze up in winter?

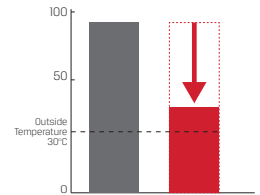
Eliminate moisture from the discharged air



Based on: Atmospheric pressure, 30°C, 70%RH 100 for a standard device

Reduce the temperature of the discharged air

The discharged air temperature decreased by **50°C**



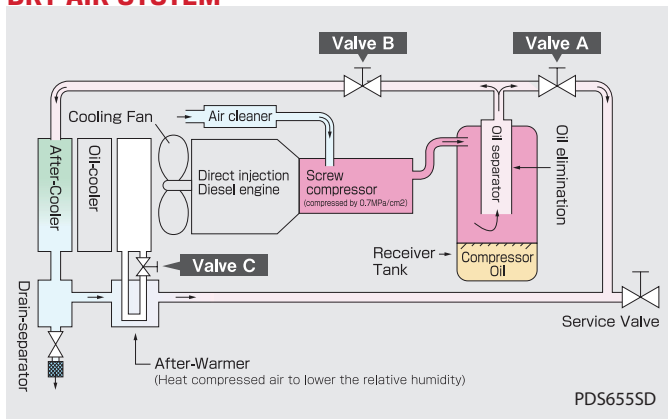
Based on: Atmospheric pressure, 30°C, 70%RH full load

DRY AIR FITTED COMPRESSORS (SETTABLE AIR TREATMENT)

Airman PDS-D series compressors feature a unique air treatment system that allows users to switch between purely untreated air or air treated through an aftercooler to remove condensate. Additionally, it features an option to reheat the aftercooled air from +20°C to +40°C above ambient temperature prior to discharge.

By raising the temperature of the air, humidity is lowered, and can remain condensation free (dry) for longer than air only treated by an aftercooler.

DRY AIR SYSTEM



After compressed air leaves the oil separator, the compressed air is cooled significantly by the aftercooler.

As the air is cooled, saturated vapor condenses into water droplets and is then drained.

The aftercooled compressed air is then heated by the afterwarmer, using hot water from the radiator. The heat makes the compressed air less humid, transforming it into "dry air".

You can switch valves to obtain 3 types of air: dry air, aftercooled air, and normal air depending on application.

AIRMAN HIGH & VARIABLE PRESSURE

MAKE LIGHT WORK OF HEAVY DUTY OPERATIONS

AIRMAN high-pressure compressors and variable pressure compressors are the foundation of industrial and mining development. The core of the compressors, the screw rotors, are all developed in-house by AIRMAN us to achieve both incomparable power and variety in their products.

This series is particularly effective for projects including foundation work, using down the hole or large diameter boring techniques, blasting, spraying work and as a backup to plant air systems.

MULTIPLE JOBS - 1 COMPRESSOR (VR - VARIABLE RATINGS TYPE)

VR compressors have a fully adjustable pressure range which makes them a versatile choice for many projects.

They feature three main pressure modes (Low 7Bar/100psi, Medium- 10Bar/150psi and High- 14Bar/200psi) which is selectable on the control panel.

For finer adjustment, "up" and "down" arrow buttons on the controller can then be used to further adjust the pressure to suit your needs. Any pressure can be selected between 6Bar/87psi and 14bar/200psi and for safety reasons, a hidden switch must first be set to "permitted" before any pressure changes can be made.

When lower pressure modes are selected the available air output from the compressor increases, ensuring that the engine power is used to full advantage at all pressure settings.

As the pressure and flow settings directly alters the engine speed, users of machines fitted with the VR controller have reported significant fuel savings when compared to other similar sized machines on their work site.

Just a single one of our variable pressure compressors can handle multiple roles in a project, adjusting easily to the various pressure and air volume needs.

FINANCE

FLEXIBLE FINANCE OPTIONS

Having the right equipment and assets is crucial for the growth of any business. Through our trusted partner, we not only provide short and long-term funding for your equipment, but can tailor our finance to suit your specific budget or requirements.

The best equipment does not have to be out of reach - explore CAPS range of finance options to drive your business forward.

LOW TO MEDIUM PRESSURE



ALL AIRMAN COMPRESSORS CAN BE FULLY CUSTOMISED BY CAPS TO SUIT YOUR APPLICATION.

7bar (100 psi) - 14bar (200 psi)

Model	PDSG460S-4B2	PDSF530S-4B2	PDS600S /F550-4C5	PDS655S-4B2	PDS750S-4B1
Aftercooled Model		PDSF530SD-4B2	PDS600SD /F55SD-4C5	PDS655SD-4B2	
Configuration	Wagon Wheel				
General Specifications					
Free Air Delivery m ³ /min (cfm)	12.5 (442)	14.3 (505)	17.0 (600)/ 15.6 (550)	18.5 (655)	21.2 (750)
Working Pressure kPa (psi)	1,270 (185)	1,030 (150)	700 (102)/ 1,030 (150)	700 (100)	700 (100)
Pressure Control	Single		Dual Pressure	Single	
Engine					
Make	Hino		Isuzu	Hino	Hino
Model	J08C-V		AI-4HK1X	J08C-V	J08C-UT
Tier Rating	2		3	2	3
Type	Direct-Injection		4 Cyl. Direct-injection Turbo Intercooled	4 Cyl. Direct-injection	4 Cyl. Direct-injection Turbo Intercooled
Displacement cc	7,961	7,961	5,193	7,961	7,961
Output PS(kW)/rpm	161 (118)/2,200	160 (118)/2,500	161 (118)/2,000	160 (118)/2,500	197 (145)/2,100
Fuel	Diesel/Biofuel B5				
Fuel Tank Capacity (l)	270	270	310	270	315
Battery	24				
Dimensions, Outlets & Noise Levels					
Length mm	3,650	3,650	3,690	3,650	3,650
Width mm	1,685	1,685	1,680	1,685	1,685
Height mm	2,135	2,135	2,120	2,135	2,070
Net Dry Weight (A/C) kg	2,970	2,960	2,910 (3,020)	2,930	2,950
Operating Weight (A/C) kg	3,310	3,300	3,280 (3,400)	3,270	3,300
Air Outlets (M) Male (F) Female	1 x 2" (F) 2 x 3/4" (M)				
Noise Level	73	73	72	73	74

LOW TO MEDIUM PRESSURE

7bar (100 psi) - 14bar (200 psi)

Model	PDSG750S-4B1	PDSF830S-4B1	PDSE900S-4B1	PDS900VRS-4C5/ PDSG750S-4C5
Aftercooled Model				PDS900VRSD-4C5/ PDSG750SD-4C5
Configuration	Wagon Wheel			
General Specifications				
Free Air Delivery m ³ /min (cfm)	21.2 (750)	23.5 (830)	25.0 (900)	25.5 (900)@700kPa/ 23.5 (830)@1,030kPa 21.2 (750)@1,430kPa
Working Pressure kPa (psi)	1,270 (185)	1,030 (150)	860 (125)	1,400 (203)/ 500 (73)
Pressure Control	Single			VR - Variable Ratings
Engine				
Make	Mitsubishi	Mitsubishi	Mitsubishi	Hino
Model	6D24-TE1	6D24-TE1	6D24-TE1	J08E-UK
Tier Rating	1	1	1	3
Type	Direct-Injection, Turbo-Charged			Direct-Injection, Turbo-Charged, Intercooled
Displacement cc	11,940	11,940	11,940	7,684
Output PS(kW)/rpm	280 (206)/2,200	280 (209)/ 2,200	280 (209)/ 2,200	268 (197)/2,100
Fuel	Diesel/Biofuel B5			
Fuel Tank Capacity (l)	400	400	400	400
Battery	24			
Dimensions, Outlets & Noise Levels				
Length mm	4,000	4,000	4,000	3,820
Width mm	1,900	1,900	1,900	1,730
Height mm	2,150	2,150	2,150	2,300
Net Dry Weight (A/C) kg	4,100	4,100	4,100	3,340 (3,510)
Operating Weight (A/C) kg	4,600	4,600	4,600	3,800 (3,970)
Air Outlets (M) Male (F) Female	1 x 2" (F) 2 x 3/4" (M)	1 x 2" (F) 2 x 3/4" (M)	1 x 2" (F) 2 x 3/4" (M)	1 x 2" (F) 2 x 3/4" (M)
Noise Level	80	80	80	75

LOW TO MEDIUM PRESSURE

7bar (100 psi) - 14bar (200 psi)

Model	PDSG900DP-4C5	PDSF1000DP-4C5	PDSG1400LDP-5C5	PDS1500LVR-5C5/ PDSG1400LVR-5C5/
Aftercooled Model	PDSG900DPC-4C5	PDSF1000DPC-4C5		
Configuration	Wagon Wheel		Skid Mounted	
General Specifications				
Free Air Delivery m ³ /min (cfm)	24.4 (862)	27.5 (971)	39.7	42.5 (1,500)@700kPa/ 41.0 (1,450)@1,030kPa/ 39.7 (1,400)@1,400kPa
Working Pressure kPa (psi)	1,030 (150)/ 1,430 (203)	700 (100)/ 1,030 (150)	1,030 (150)/ 1,400 (203)	700 (100)/ 1,030 (150)/ 1,400 (203)
Pressure Control	Dual		VR - Variable Ratings	
Engine				
Make	Komatsu	Komatsu	Komatsu	Komatsu
Model	SAA6D125E-5-A	SAA6D125E-5	SAA6D1405E-5-B	SAA6D1405E-5-B
Tier Rating	3			
Type	Direct-Injection, Turbo-Charged, Intercooled			
Displacement cc	11,040	11,040	15,240	15,240
Output PS(kW)/ rpm	336 (247)/1,900	336 (247)/1,900	541 (398)/2,000	341 (398)/2,000
Fuel	Diesel/Biofuel B5			
Fuel Tank Capacity (l)	600	600	780	780
Battery	24			
Dimensions, Outlets & Noise Levels				
Length mm	4,370	4,370	4,750	4,750
Width mm	2,000	2,000	1,950	1,950
Height mm	2,290	2,290	2,050	2,050
Net Dry Weight (A/C) kg	4,950 (5,050)	4,990 (5,100)	6,610	6,610
Operating Weight (A/C) kg	5,620 (5,720)	5,680 (5,790)	7,530	7,530
Air Outlets (M) Male (F) Female	1 x 2 1/2" (F) 1 x 3/4" (M)	3 x 2" (F) 1 x 3/4" (M)	1 x 3" (F) 1 x 3/4" (M)	1 x 3" (F) 1 x 3/4" (M)
Noise Level	73	75	74	74

HIGH PRESSURE

15bar (220 psi) – 25bar (360 psi)

Model	PDSJ750S-4B2	PDSJ850DP-4C5	PDSK930LDP-5C5	PDSK1200S-4C1	PDSJ1550DP-4C6
Aftercooled Model		PDSJ850DPC-4C5			
Configuration	Wagon Wheel		Skid Mounted		Wagon Wheel or [Skid]
General Specifications					
Free Air Delivery m ³ /min (cfm)	21.2 (750)	24.1	29.7 (1,050)/ 25.5 (900)	34.0 (1,200)	43.9 (1,550)/ 42.5 (1,500)
Working Pressure kPa (psi)	1,500 (220) 2,070 (300)	1,700 (250) 2,000 (290)	2,000 (300)/ 2,500 (360)	2,450 (355)	1,700 (250)/ 2,000 (290)
Pressure Control	Dual	Dual	Dual	Single	Dual
Engine					
Make	Mitsubishi	Komatsu	Komatsu	Caterpillar	
Model	6D24-TC	SAA6D125E-5-A	SAA6D125E-5-C	C15	SAA6D140E-5-B
Tier Rating	1	3	3	3	3
Type	Direct-Injection, Turbo-Charged, Intercooled				
Displacement cc	11,940	11,040	11,040	15,200	15,240
Output PS(kW)/rpm	310 (228)/2,200	336 (247)/1,900	282 (2,100)	548 (403)/1,800	541 (398)/2,000
Fuel	Diesel/Biofuel B5				
Fuel Tank Capacity (l)	555	600	710	864	900
Battery	24				
Dimensions, Outlets & Noise Levels					
Length mm	4,350	4,370	4,300	5,600	4,900 [4,560]
Width mm	1,900	2,000	1,850	2,110	2,100 [2,100]
Height mm	2,350	2,290	1,900	2,500	2,500 [2,300]
Net Dry Weight (A/C) kg	5,050	5,270 (5,350)	5,080	7,800	7,410 [7,010]
Operating Weight (A/C) kg	5,650	5,940 (6,030)	5,850	8,800	8,400 [8,000]
Air Outlets (M) Male (F) Female	1 x 2" (F) 1 x 3/4" (M)	1 x 2" (F) 2 x 3/4" (M)	1 x 2" (F) 1 x 3/4" (M)	1 x 3" (F) 1 x 3/4" (M)	1 x 2"
Noise Level	80	73	73	82	75

24/7 RAPID RESPONSE NATIONWIDE SUPPORT

9 BRANCHES SERVICING ALL AUSTRALIA



AUSTRALIA WIDE

With our extensive network of branches and regional service locations, CAPS can service anywhere in Australia.

From the metro area through to a remote mine-site, we have you covered with experts located all around Australia.

SPARE PARTS

A complete range of spare parts and accessories to help you get the most out of your industrial equipment.



HIGHLY TRAINED TECHNICIANS

Enjoy the peace of mind of having an expert at your doorstep. **Their knowledge is continually updated**, and they have the model by model knowledge to fix your compressor first time, every time.

Whether you have one compressor or have complex systems with multiple pieces of equipment, **our technicians will give you the advice you need to ensure continuous operation.**

They can even give your compressor a new lease on life with an overhaul or airend rebuild, saving you thousands on replacement costs.

PREVENTATIVE MAINTENANCE

We're always aiming to help you to **reduce operating costs and interruptions to your production.** Our factory-authorised programs include routine inspections, oil analysis, condition monitoring and the use of sophisticated diagnostic equipment to identify any potential problems before they impact you.

SAFETY COMPLIANCE

Safety is a core value of CAPS and our goal is never to put people, plant or the environment at risk. You can be confident that our technicians will be **completely compliant to any site specific safety requirements** you have.

NATIONAL HIRE

LONG TERM AND SHORT TERM HIRE AVAILABLE

At CAPS, we have a large range of equipment that's suitable for every kind of project.

CAPS check their equipment before every hire to ensure the highest standard of safety and service. When you hire through CAPS you are speaking to experts who can assist you with selecting the right equipment for the job every time.



Hire and you protect your staff, control your costs, avoid depreciation, maintenance and borrowing expenses.

CORE PRODUCTS

AIR COMPRESSORS

ROTARY SCREW



PORTABLE DIESEL



OIL FREE



HIGH PRESS. RECIPS.



SMALL RECIPS.



AIR BLOWERS

ROTARY LOBE



CENTRIFUGAL



GAS GENERATORS & COMPRESSORS

NITROGEN



OXYGEN



OTHER GASES



AIR TREATMENT

AIR DRYERS



AIR RECEIVERS



FILTRATION



TOOLS & MATERIAL HANDLING

TORQUE CONTROL



WINCHES & HOISTS



POWER GENERATION & RENEWABLES

STANDBY



PRIME



BATTERY STORAGE



SOLAR



ONLINE SHOPPING

CAPSSHOP.COM.AU

If you are looking for spare parts or tools for your air and power equipment, visit our online shop.



SOLVING YOUR AIR AND POWER CHALLENGES

PORTABLE DIESEL AIR COMPRESSORS - TOWABLE

Inquiries: 1800 800 878

Service & 24/7 Support: 1800 802 697

Website: caps.com.au

Shop: capsshop.com.au

Email: info@caps.com.au

BRANCH LOCATIONS

PERTH (HEAD OFFICE) | KALGOORLIE | MELBOURNE | SYDNEY | NEWCASTLE | ADELAIDE
BRISBANE | MACKAY | DARWIN

INTERNATIONAL

MALAYSIA | GHANA



© CAPS AUSTRALIA PTY LTD. ALL RIGHTS RESERVED.

